

➤➤➤ A full set of equipment



HU.Q CTP PLATE PROCESSORS

PT-90 PT-125



PT Plate Processors

Introduction for PT Plate Processors

PT series plate processors are a part of CTP digital plate processing systems meeting international design and safety standards, designed & produced by HuQiu Imaging Technologies (Suzhou) Co., Ltd. These machines are integrated with foreign advanced ideas and technique, have reasonable structure and are made by excellent production process and material. They are the highly automated machines with wide tolerance of processing control adjustment and wide application range. They are not only the machines, but also the excellent experience we present to you.

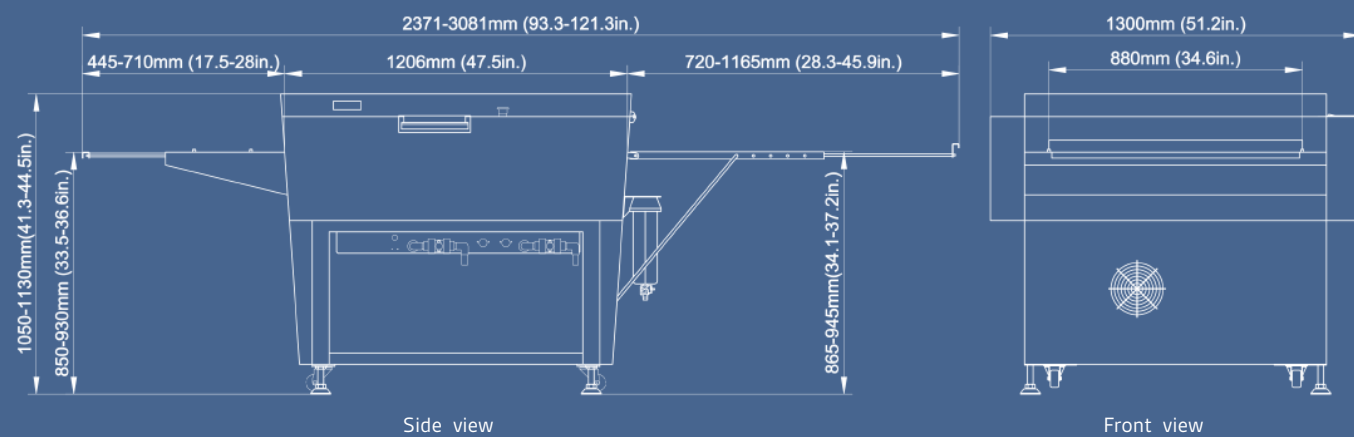
The system features include

- Microprocessor-based controls
- Built-in water recirculation unit (PT125, PT160)
- Flexible developer system
- Extensive control of development conditions
- Intelligent replenishment system
- Over-heat protection system
- Protection system of mechanical transmission
- 6 keys and 127mm x 34mm LCD



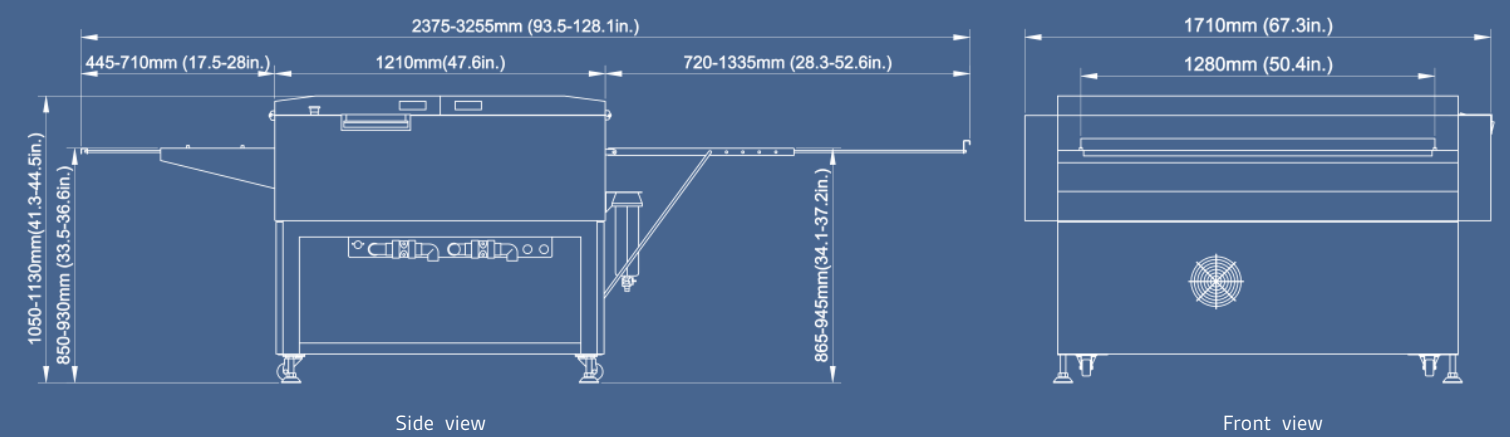
Dimensions

PT 90 Plate Processor



Dimensions

PT 125 Plate Processor



Technical Specifications

Product name	PT 90 Plate Processor	PT 125 Plate Processor
Dimensions	See drawing	See drawing
Processor type	Digital thermal plate processor rated up to 30,000 sqm/year	
Processing sections	Developing, washing, gumming, drying	
Accredited digital plates	Kodak Trillian SP Thermal Plates, Kodak Electra XD Thermal Plates, Kodak Sword Ultra Thermal Plates, Other Positive & Negative thermal plates, etc.	
Maximum plate width	860 mm (34 in.)	1260 mm (49.6 in.)
Minimum plate length	400 mm (15.7 in.)	
Maximum plate length	Unlimited	
Gauge range	0.15 - 0.40 mm (0.006-0.016 in.)	
Developer temperature range	20°C- 40°C (68°F-104°F)	
Developer tank volume	30 liters (7.9 gallons)	56 liters (14.8 gallons)
Water supply	1 - 4 bar (15 - 58 psi)	
Processing speed	0.38 - 2.28m/min (1.25 - 7.48ft./min), dwell time 10 - 60 seconds	
Electrical power	200-240 VAC, single-phase, 50/60 Hz 18 A (max)	
Power outlet	Included for stacker	
Standard accessories	Input and output tables, built-in chiller, operator tools	
Width x length x height (crated)	146x156 x130cm 57x61x51in.	160.5x189x125cm 63x74x49in.
Entrance / exit height	Adjustable: 850 - 950mm (33-37 in.)	
Weight (uncrated)	510 kg (1124 lb.)	635 kg (1400 lb.)
Weight (crated)	625 kg (1378 lb.)	810 kg (1786 lb.)
Approvals	Complies with CE and RoHS	
Optional accessories	Automatic stacker (CSG-86C/CSG-86/CSG-125)	